

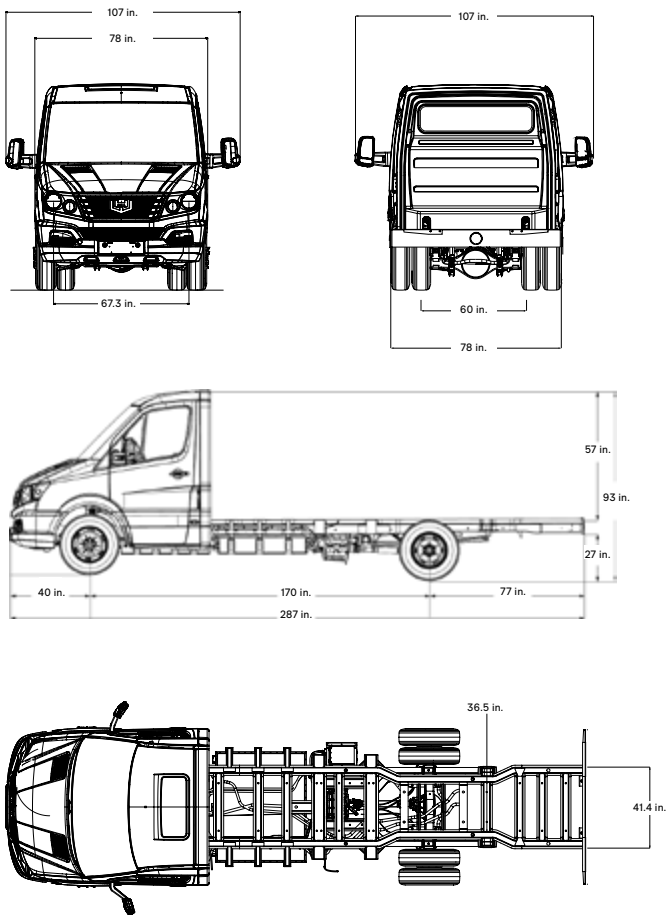
W4 CC

Vehicle Specifications
and Technical Data



Fully Configurable, All-Electric Class 4 Cab Chassis

With up to 150 miles of range and a 7,000 lb. payload capacity, the flexible W4 CC brings newfound power and comfort to virtually every work truck body application.



Vehicle Class	4	Efficiency:	
GVWR	14,330 lbs.	MPGe	44
Curb Weight	7,300 lbs.	kWh/Mile	0.77
Payload	7,000 lbs.	Miles/kWh	1.3
Axle Load Rating - Front	4,409 lbs.		
Axle Load Rating - Rear	9,920 lbs.		
Battery:		Charging:	
kWh	118	Level 2 J1772	11 kW/~11 hrs
Voltage	576	Level 3 CCS1	61 kW/3-4 hrs
Chemistry	LFP	ECU Communications	CAN Bus/J1939
Range (UDDS-HD)*	150 Miles	HVAC Motor	Heat, Defrost, A/C Direct-Drive Permanent Magnet
Dimensions:		Power	94 hp (70 kW)
Width	78 in.	Peak	201 hp (150 kW)
Length	287 in.	Torque	251 lb-ft/Peak 885 lb-ft
Height	93 in.	Top Speed (mph)	68
Wheelbase	170 in.	Tires #/Size	6/215/75R 17.5
Front Track	67.3 in.	Frame	Steel
Rear Track	60 in.	Seating	2
Rail Height	36 in.	Braking System	Front Disc/Rear Drum ABS with Regenerative Braking
Rail Length	188 in.	Certification	MY 2022: FMVSS, ZEV
Cab-to-Axle Distance	109 in.		
Turning Radius**	26.6 ft.		
Front Overhang	40 in.		
Rear Overhang	77 in.		
Approach Angle	23°		
Breakover Angle	16°		
Departure Angle	18°		
Ground Clearance	8 in.		

*While Workhorse trucks work hard and go a long way, driver habits, inclement weather, and other factors can limit range. Your results may vary.

**Curb-to-curb

Disclosure: No express or implied representations, warranties, or guarantees of any kind are given to the accuracy, completeness, or correctness of the information contained in this communication. This communication does not ensure the availability of any Workhorse products. Workhorse reserves the right to modify product specifications, pricing, and equipment at any time.